

Courtesy of April 1930's Sewing Shoppe

www.April1930s.com

SINGER**SERIES 3-32V, 3-110V, 3-120V AND 3-125V FOR 221 MACHINE

SHOWING POINTS OF WEAR

PROCEDURE
FOR
INSPECTING
MOTOR

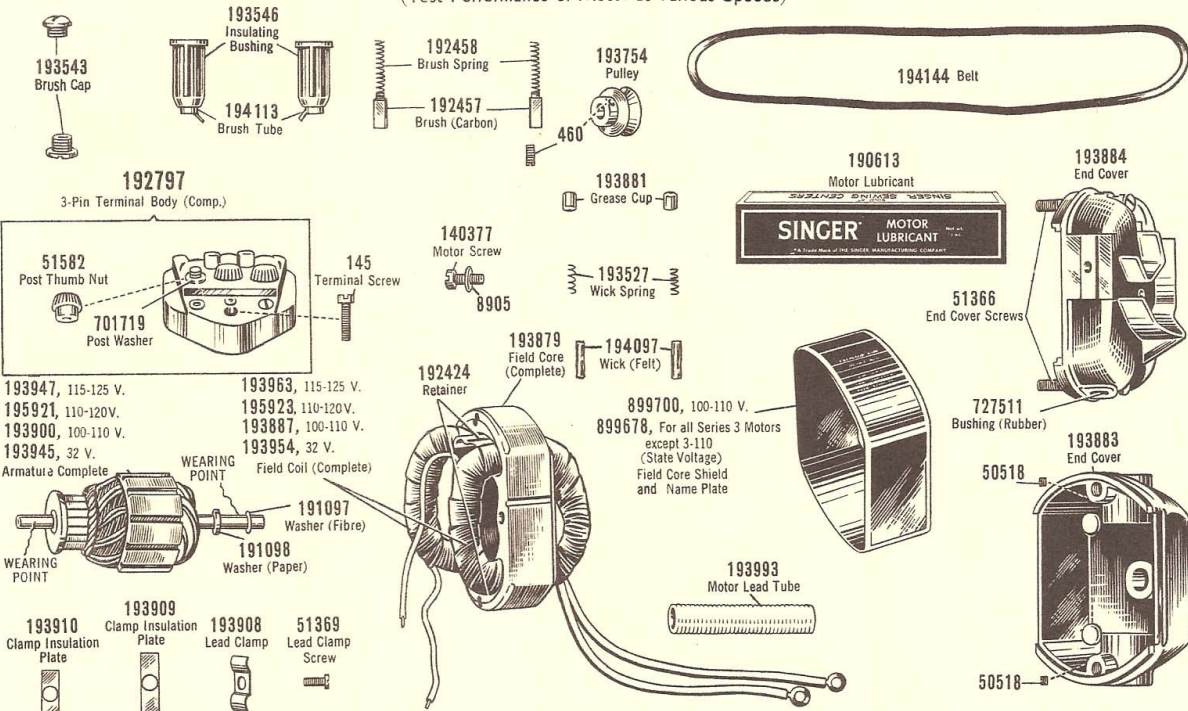
IN THE HOME

1. Brush Caps
2. Brush Spring
3. Carbon Brushes
4. Motor Belt
5. Motor Pulley and Screw
6. Motor Leads
7. All Terminal Fittings

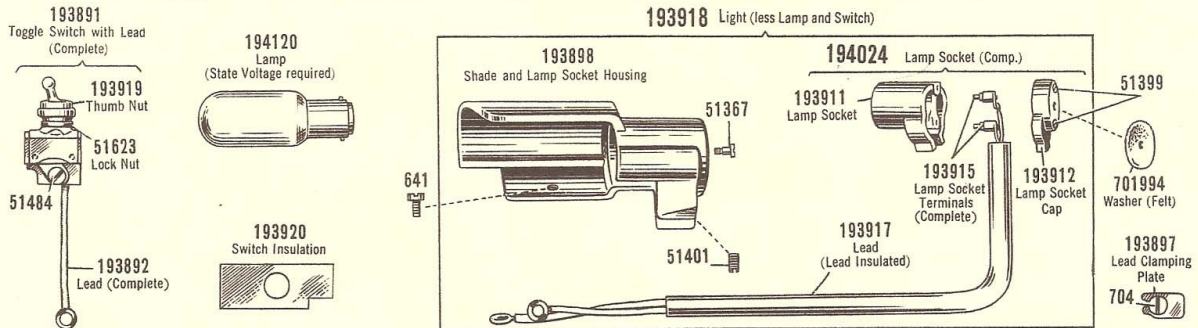
AT THE REPAIR BENCH

1. Brush Caps and Brush Tubes
2. Carbon Brushes
3. Brush Springs
4. Pulley and Screw
5. Belt
6. Three-Pin Terminal
7. Grease Cups
8. End Cover (pulley end) (see bearing and wick)
9. Armature Windings, Commutator and Bearings
10. Armature Thrust Washers
11. Motor Shield
12. Field Coils
13. Brush Tubes (brass) and connections
14. Brush Tube Insulation
15. End Cover (commutator end) (see bearing and wick)

(Test Performance of Motor at Various Speeds)



SINGER** LIGHT FOR 221 MACHINE



FORM 200 42
Revised (1055)
**A Trade Mark of THE SINGER MANUFACTURING COMPANY

Copyright © 1945 by The Singer Manufacturing Company
PRINTED IN U. S. A.

MOTOR AND LIGHT FOR 221